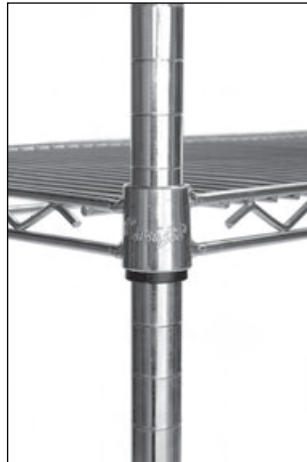


**FEATURES**

- **Finish:** 304 Stainless Steel
- **Standard Post Heights:**  
**3 tier - 1385mm high posts**  
**4 tier - 1900mm high posts**  
**5 tier - 1900mm high posts**
- Five year guarantee against rust or corrosion in environments suitable for 304 grade stainless steel
- Shelf heights are adjustable in 25mm increments
- Stylish design
- Simple to assemble
- Packaged for easy transportation
- Adjustable feet



STOCK CODE SHELF SIZE 3 TIER UNIT W x L mm	STOCK CODE SHELF SIZE 4 TIER UNIT W x L mm	STOCK CODE SHELF SIZE 5 TIER UNIT W x L mm	ADDI- TIONAL SHELF	WEIGHT RATING PER SHELF
C455x610SS3T	C455x610SS4T	C455x610SS5T	C1824SS	230kg
C455x760SS3T	C455x760SS4T	C455x760SS5T	C1830SS	230kg
C455x910SS3T	C455x910SS4T	C455x910SS5T	C1836SS	230kg
C455x1060SS3T	C455x1060SS4T	C455x1060SS5T	C1842SS	230kg
C455x1220SS3T	C455x1220SS4T	C455x1220SS5T	C1848SS	210kg
C455x1370SS3T	C455x1370SS4T	C455x1370SS5T	C1854SS	200kg
C455x1525SS3T	C455x1525SS4T	C455x1525SS5T	C1860SS	175kg
C455x1825SS3T	C455x1825SS4T	C455x1825SS5T	C1872SS	150kg
C610x610SS3T	C610x610SS4T	C610x610SS5T	C2424SS	250kg
C610x760SS3T	C610x760SS4T	C610x760SS5T	C2430SS	250kg
C610x910SS3T	C610x910SS4T	C610x910SS5T	C2436SS	250kg
C610x1060SS3T	C610x1060SS4T	C610x1060SS5T	C2442SS	250kg
C610x1220SS3T	C610x1220SS4T	C610x1220SS5T	C2448SS	250kg
C610x1370SS3T	C610x1370SS4T	C610x1370SS5T	C2454SS	225kg
C610x1525SS3T	C610x1525SS4T	C610x1525SS5T	C2460SS	200kg
C610x1825SS3T	C610x1825SS4T	C610x1825SS5T	C2472SS	180kg

Additional Posts - if required (posts are included in complete units)

STOCK CODE	POST HEIGHT
C54SS	1385
C74SS	1900
C86SS	2200